

# ELEVEN

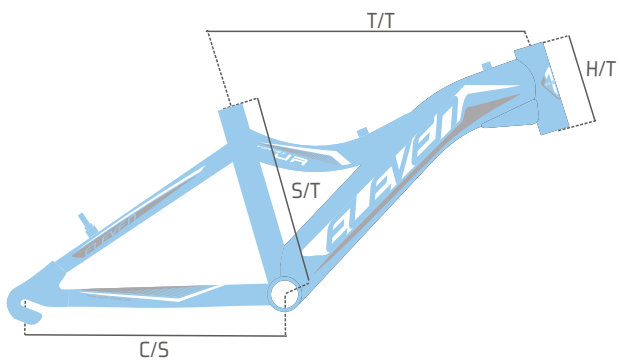
## VORTEX 20 JA



KIDS/JUNIOR

Ref.   
UNICA 3260003117 3260003217

Frame Color  
Available  
Finishing  
GLOSS



| Sizes    | T/T | C/S | S/T | H/T |
|----------|-----|-----|-----|-----|
| ONE SIZE | 428 | 365 | 292 | 110 |

ALUMINIUM  
6061

20"

### Ficha Técnica / Specifications

-  Alu. 20"
-  Steel 20"
-  NECO 1-1/8
-  Steel 600mmx25.4
-  Alu. 60mmx22.2
-  Steel 350mmx27.2
-  MTB
-  SHIMANO REVOSHIFT 6v
-  Detai 38x140mm
-  V-Brake steel
-  20x1.95mm
-  VP19 20"
-  6v